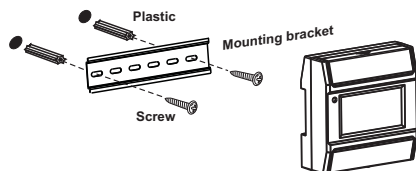


## Installation instructions

1. Located the mounting bracket on the installation place. Keep it horizontal. Mark the hole position.
2. Open holes according to the marked position. Put the screw anchors into the hole.
3. Put the mounting bracket and fasten it with screws.
4. Connect the smart home controller according to the wiring diagram.
5. Pull down the buckle of the controller and aim to the mounting bracket. Loose the buckle and the controller is installed.



## 😊 Notice

After Z86G smart home switch controller binds with indoor monitor, indoor monitor and cell phones can control the ON/OFF of light via network connection. For more information about bind methods and operation, please read the user manual of indoor monitor.

2016-V0113

## Switch controller for smart home Operating instructions



CE RoHS

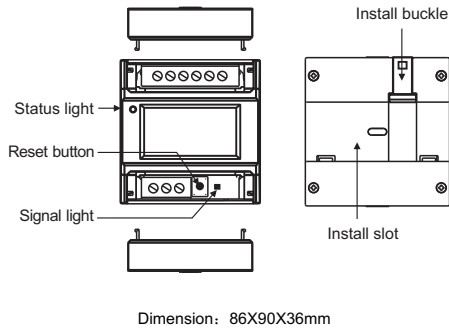
Security

Technology

Vogue

Innovation

## Plane sketch for Z86G smart home controller

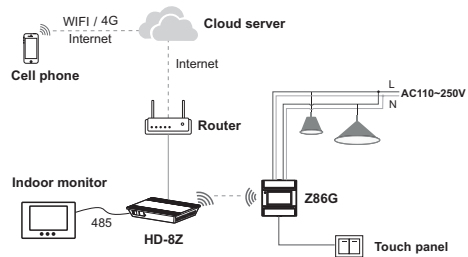


## Basic parameters

Working environment	Ambient temperature: $-20^{\circ}\text{C} \sim +50^{\circ}\text{C}$
	Relative humidity: $\leq 90\%$
Working voltage	AC 110 ~ 250V
Working current	$\leq 20\text{mA}$
Relay output contact current $\leq 5\text{A}$	AC 250V

## Function description

Z86G is used based on the ZigBee protocol. After binding with indoor monitor and ZigBee controller (HD-8Z), indoor monitor and cell phones can control the ON/OFF of light via network connection.



## Indicator light information

- Red: KEY 1 is open;
- Green: KEY 2 is open;
- Orang: KEY 1 and KEY 2 are open;
- Indicator light is off: KEY 1 and KEY 2 are close;
- Indicator light is blinking: Signal is connecting.