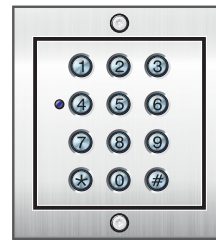
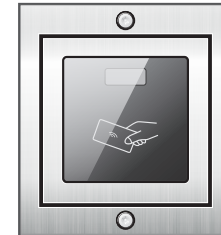


Instruction Manual

ACCESS CONTROL



Model:
DH16A-600/601T
(600/601password
access contro)



Model:
DH16A-600/601DTQ/DT/CTQ/CT
(600/601 ID/IC card access control)



Model:
DH16A-600/601Z
(600/601 finger print
access control)


Security

Technology

Vogue

Innovation

2013-V01

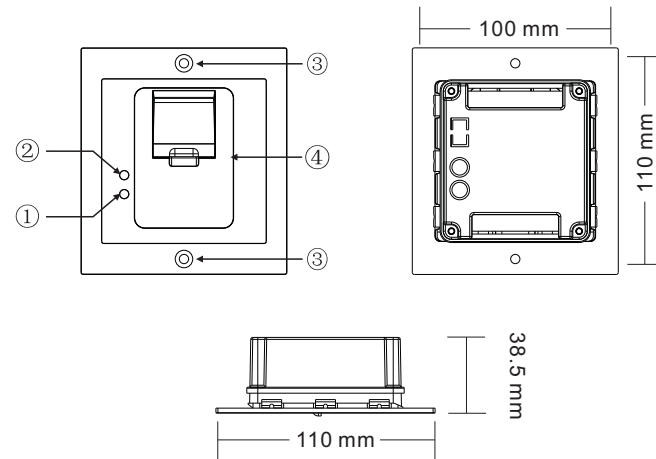
RoHS 

CONTENTS

Schematic plan for access control.....	1-3
• Model 600 fingerprint access control	1
• Technical Parameters.....	1
• Model 600 ID/IC access control	2
• Technical Parameters.....	2
• Model 600 password access control.....	3
• Technical Parameters.....	3
Installation for access control	4
wiring connection for access control	5-6
• Model 600 fingerprint/password access control.....	5
• Model 600 ID/IC card access control	6
Operation instructions.....	7-16
• Operation for fingerprint access control.....	7
• Operation for ID/IC card access control	10
• Operation manual for password access control.....	14

Schematic plan for access control

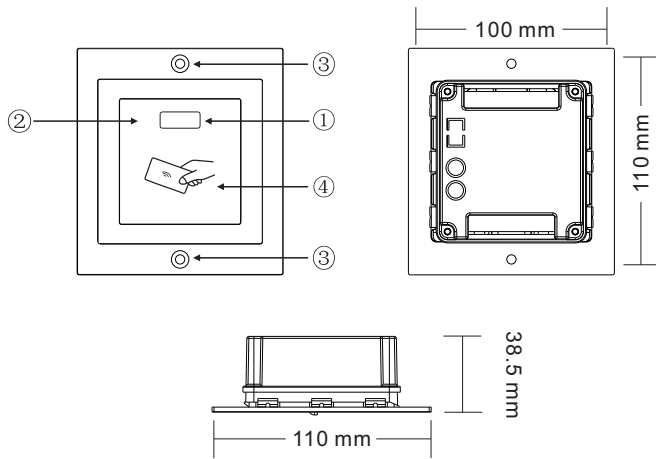
► DH16A-600Z (Model 600 fingerprint access control)



NO.	Description	NO.	Description
①	Mode indicator	③	Screw
②	Infrared receptor	④	Fingerprint sensor

Technical Parameters	
Ambient temperature: -20℃~+60℃	Relative humidity: ≤95%
Operating Voltage: DC 14.5V	Standby Current: ≤90mA
Operating Current: ≤120mA	Capacity: maximum 900 fingerprints

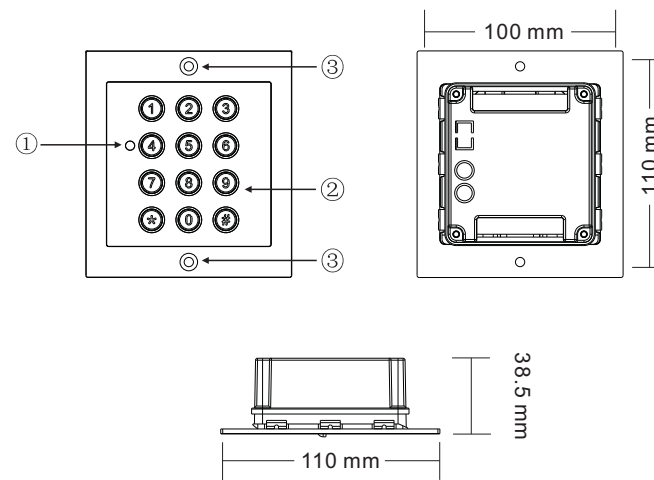
► **DH16A-600DTQ/DT/CTQ/CT**
 (Model 600 ID/IC access control)



NO.	Description	NO.	Description
①	Mode indicator	③	Case screw
②	Infrared receptor	④	Antenna

Technical Parameters	
Ambient temperature: -20℃~+60℃	
Relative humidity: ≤95%	Applicable card type: ID/IC card
Standby Current: ≤90mA	Capacity: maximum 1000 card
Operating Voltage: DC 14.5V	Sensing distance: ≥2cm
Operating Current: ≤120mA	Sensing time: ≤0.8s

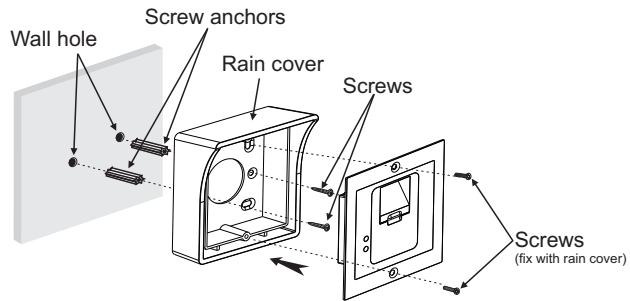
► **DH16A-600T**
 (Model 600 password access control)



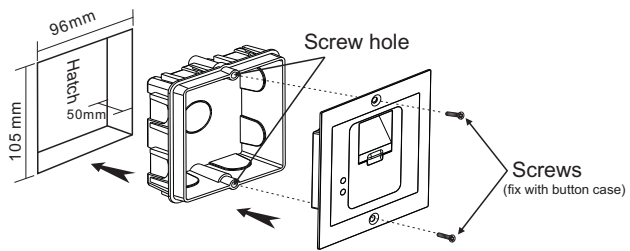
NO.	Description	NO.	Description
①	Mode indicator	③	Case screw
②	Matrix Keypads		

Technical Parameters	
Ambient temperature: -20℃~+60℃	Relative humidity: ≤95%
Operating Voltage: DC 14.5V	Standby Current: ≤90mA
Operating Current: ≤120mA	

Installation for access control



Install in the wall

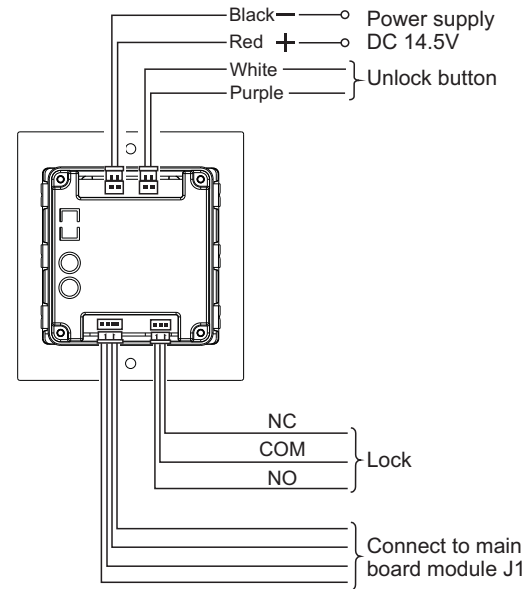


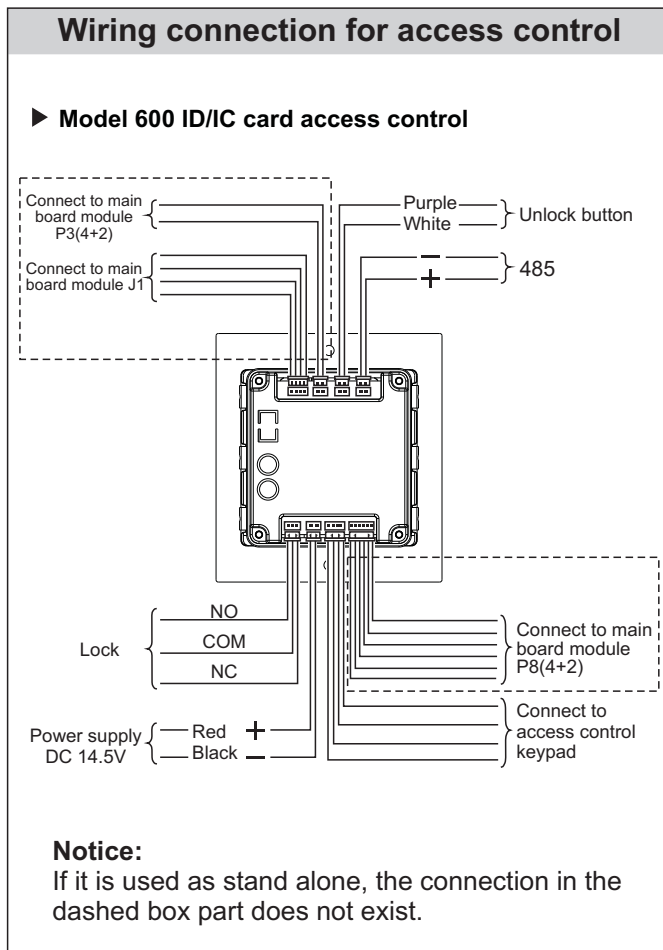
Notice:

The installation of the password and the ID/IC access controls are the same as the above steps.

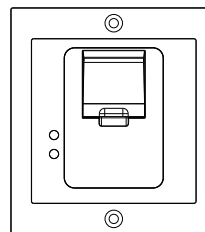
wiring connection for access control

► Model 600 fingerprint/password access control





Operation for fingerprint access control



⚠ Notice:

Fingerprint and ID/IC card access controls require to use remote control DH11R or DH12R for program.

Enter the setting mode

Input the admin code twice (default code twice: 1234+1234), the yellow LED will be on. It is in the setting mode.

The default code is: 1234

Modify admin code

In the setting mode:

Press * 3 (Yellow light blinks), and then enter a new admin code (XXXX) twice. If Bi- is heard, it means the modification is successful.

Press # to exit the setting mode.

Notice: In case forget the admin code, power on first, then press # in 3 seconds until Bi is heard. It means admin code is restored successfully as default setting.

Restore factory default

In the setting mode:

Press * 8 (Yellow light blinks), and then enter 9 twice (A continuous Bi- will be heard). The factory default is restored.

Press # to exit the setting mode.

Set the unlocking time

In the setting mode:

Press * 1 (Yellow light blinks), and then enter 2-digit number from 01 to 99 (Bi- is heard, and yellow light stops blinking). This 2-digit number is the unlocking time. For example, enter 05 means the unlocking time is 5 seconds.

Press # to exit the setting mode.

Add fingerprint

In the setting mode:

Press 000-899 (Yellow light blinks. If red light is on, it indicates the position is occupied. Press * twice to delete the information in this position and then add the fingerprint. If green light is on, it indicates the position is vacant. Fingerprint can be added.) + put the finger on the scanner until a Bi sound is heard. Then another Bi and Bi-will be heard. It indicates the addition is successful. If BiBiBi are heard, it indicates the addition fails. If BiBiBiBi are heard, it indicates the fingerprint exists.

Press # to exit the setting mode.

Notice: Maximum 900 fingerprints.

Delete the fingerprint

In the setting mode:

Delete one fingerprint: press 000-899, then press * twice to delete the fingerprint in 000-899. If light turns green means the deletion is successful.

Delete all fingerprint: press * 8 (Yellow light blinks), and then enter 8 twice (A continuous Bi - will be heard). The deletion is successful.

Press # to exit the setting mode.

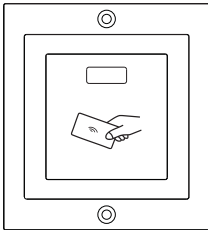
Set security level

In the setting mode:

Press * 5 (Yellow light blinks), and then enter security level number twice (Parameter range is 1, 2, 3, 4, 5. The higher number indicates the higher accuracy of fingerprint recognition). If Bi- is heard, it indicates the setting is successful. If Bi Bi Bi are heard, it indicates the setting fails.

Press # to exit the setting mode.

Operation for ID/IC card access control



⚠ Notice:

Fingerprint and ID/IC card access controls require to use remote control DH11R or DH12R for program.

Enter the setting mode

Press * and #, then enter XXXX (4-digits admin code) and #. A Di sound indicates entering to the setting mode successfully. Press * to return to standby mode. (No operation in 20 seconds will return automatically). The factory default code is 4567.

Modify access control code

In the setting mode:

Press 8 with a Di sound, then enter new 4-digits code (XXXX) and #. After a Di sound, re-enter the new 4-digit code and #. If two Di sounds is heard, it means the modification is successful. If enter different codes twice, continued Di... sound will be heard, the modification of code fails. Please modify again.

Press * to return to standby mode.

Notice: If forget admin code, turn on the power again and press # in 3 seconds until Bi is heard. It means admin code is restored successfully as default setting.

Set master card

In the setting mode:

Press 0, a Di sound heard, and press 7 to hear another Di sound. Then enter the last 6-digits master card number or swipe the master card. After a Di sound, the setting is completed.

Press * to return to setting mode, and press * again to return to standby mode.

Add user card

In the setting mode:

Press 1. Di sound indicates it is in the adding user card mode.

Enter the last 6-digits of a new card number. If Di sound is heard, it indicates the adding is successful. Or swipe the new card instead of adding the card numbers. If a Di sound and another Di sound are heard, it indicates the adding is successful.

Continuous batch adding new user cards is available. If a registered card is added, four Di Di Di Di rejection sounds will be heard. It indicates this card has been registered.

Press * to return to setting mode. Then press * to return to standby mode. No operation in 30 seconds will return automatically.

Use master card to add user card:

In the standby status, swipe master card once. A Di sound indicates it is in the adding card mode.

During the adding card mode, swipe each new card will accomplish with a Di sound. Another Di sound to confirm that the setting is successful. Registered card will be rejected. After four Di sounds, swipe master card again to return to standby mode.

Delete user card

In the setting mode:

Press 2 with a Di sound. It is in the delete card mode. Enter the last 6-digits of the card to be deleted. If a Di sound is heard, it indicates the deletion is successful. Or swipe the card to be deleted, if a Di sound is heard, and another Di sound indicates deletion is successful. Continuous batch deleting user cards is available. If deleted card is deleted again, the access control will sound four Di rejection sounds. It indicates this card has been deleted.

Press * to return to setting mode, and press * again to return to the standby mode. No operation in 30 seconds will return automatically.

Delete all user cards

In the setting mode:

Press 9 with a Di sound heard. And then press 9, continued short Di sounds can be heard. After it stops, it indicates the deletion of all user cards is successful.

Press * to return to standby mode. No operation in 30 seconds will return automatically.

Set building number and machine number

In the setting mode:

Press 3, a Di sound is heard. Enter 6 digits (4-digits building number and 2-digits machine number), press # with a Di sound. It indicates the setting is successful.

Press * to return to standby mode. No operation in 30 seconds will return automatically.

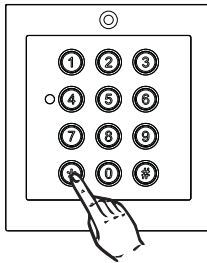
Set the unlocking time

In the setting mode:

Press 4, a Di sound is heard, then enter 2 digits number from 01 to 99 as unlocking time. If a Di sound and another DI sound are heard, it indicates the unlocking time setting is successful.

Press * to return to standby mode. No operation in 30 seconds will return automatically.

Operation manual for password access control



⚠ Notice

1. The original factory defaulted programming password is 1234.
2. In the programming mode, set 40 groups of 4-digit codes for door open.

Set programming code

1. Switch off the power, press * and hold, switch on the power. After hearing a long sound, release *.
2. After the long sound stops, another sound is heard, now you can enter the new 4-digit programming password.
3. After entering the new password, a "DI" sound can be heard for 5 times.

Enter to the programming mode

1. Press *, "DI" sound should be heard twice, and then enter 4-digit programming password, "DI" sound should be heard three times with LED light flashing. It indicates entering to the programming mode successfully.
2. Press * to exit the programming mode with "DI" sound in five times.

Set unlocked time

Factory default setting is 5 seconds.

1. Enter to the programming mode first.
2. Enter code 00, and "DI" sound should be heard twice.
3. Enter the targeted unlocked time: 2 digits (01 - 99 seconds); 00 is not valid in this mode.
4. After "DI" sound is heard for three times, it will return to programming mode.
5. Press * to exit the programming mode.

Add user passwords

1. Enter to the programming mode first.
2. Enter position 01- 30 (31-40 can not set unlocked time as they are normal open/closed).
3. Enter 4-digit password. If long "DI" sound is heard twice, it indicates password stored fails, and this password exists somewhere else. If "DI" sound is heard for three times, it indicates password stored succeeds. Return to the programming mode.

Delete user passwords

1. Enter to the programming mode first.
2. Enter position 01 - 30.
3. Press # to delete the password stored in 01- 30.
4. After "DI" sound is heard for three times, return to the programming mode.

Delete user passwords directly

1. Enter to the programming mode first.
2. Press #. After "DI" sound is heard twice, then enter 4-digits password for deletion.
3. After "DI" sound is heard for three times, it indicates the password has been deleted and return to the programming mode.

Delete all settings

1. Enter to the programming mode first.
2. Press #. After "DI" sound is heard twice, press # again. Another "DI" sound is heard twice.
3. Then, press # for seven times, the system deletes all the settings. The unlocked time changes to 1 second, and the programming password does not change. After hearing "DI" sound for five times, the system resets, and all the user passwords are deleted.