

Zigbee smart home controller

Operating instructions



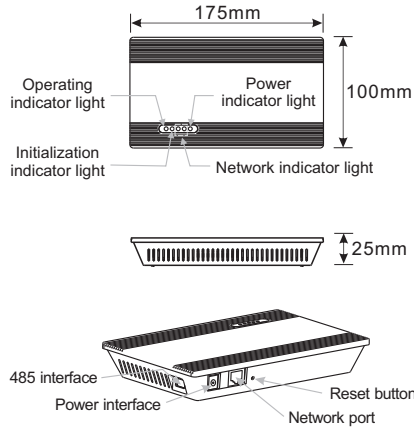
HD-8Z

CE RoHS 

2015-V01



HD-8Z smart home controller plan sketch

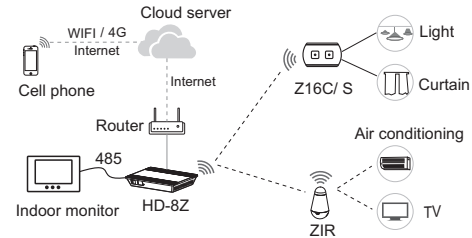


Basic parameters

Working environment	Ambient temperature: -20℃ - +50℃
	Relative humidity: ≤90%
Working voltage	DC12V-15V
Working current	≤200mA

Function description

HD-8Z smart home controller works with smart home modules (eg. plug module, IR remote control module, light switch module, curtain module) as a long distance wide range wireless network. Control the home electronic devices in the network by indoor monitor or cell phone app.



LED status description

- **Power indicator:**
It indicates that the power is working properly.
- **Initialization indicator:**
Power on - initial stage - shining then turn off.
- **Operating indicator:** In working condition.
- **Network indicator:** Network is working properly.