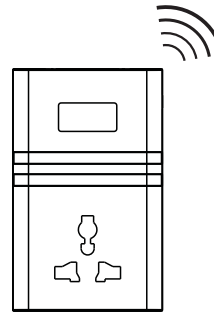


Instruction of Press Key and Indicator Light

- S1: Switch(Press this key to switch on and switch off the plug)
- S2: Reset(Press the key to reset when the plug is fault)
- L1: Indicator light of Power supply (The light indicates the power supply is working regularly)
- L2: Indicator light for working.

ZigBee Repeater

User Manual



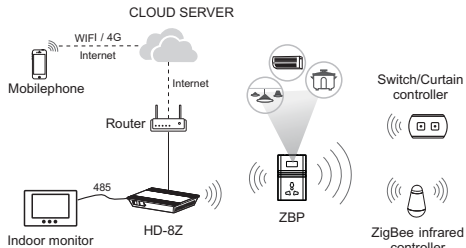
Model: ZBP

CE RoHS 

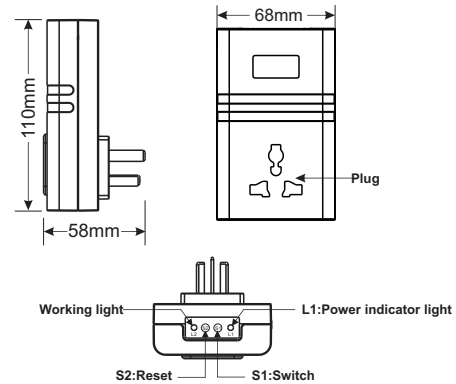


Product Description

ZBP is an intelligent plug, which is available to control house appliances via WIFI, with binding indoor monitor, to enable users to switch on and switch off the plug directly from indoor monitors or mobile phone APP (for more information about binding with indoor monitor, please check “Instruction of Indoor monitor”). ZBP also served as a repeater, when the Smart Home Controller HD-8Z connects to house appliances and fails to connect because of the signal barrier or long distance, the ZBP can be added in (one or more) to strengthen the signal and control house appliances.



Plan of ZBP repedter



Technical Parameters

Working condition	Temperature:-20 C ~ +50 C
	Rh ≤ 90%
Working voltage	AC 100 ~ 240V , 50/60Hz
Maximum load	2200W
Working current	≤ 30mA