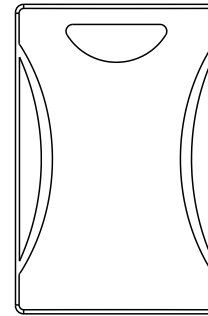


Instruction manual
ACCESS CONTROL



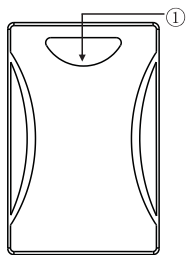
DH16A-11CT



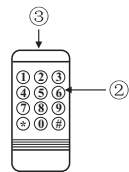
DH12R

CE FC RoHS 





DH16A-11CT



DH12R

NO.	description
①	IR inductor
②	keypad
③	IR emitter

System configuration

networked access control	stand-alone access control
DH16A-11CT RS-232 computer connection wire. RS-485 connector. wireless inductor keypad DH12R. software for access control application(Optional). CA08W IC card for read and write.	wireless inductor keypad DH12R. CA08W IC card for read and write.

DH16A-11CT Specification	
Environment temperature: -20℃-+50℃	Standby current: ≤50mA
Environment relative humidity : ≤95%	Card type: IC card
Operating voltage: DC +12V ~ +18V	Inductive distance: ≤5cm
Operating current: ≤100mA	Capacity:unlimited
Inductive time: ≤0.8 second	

DH12R Specification for wireless inductor keypad	
Silver-zinc button batteries(2032): 3V	Standby: 0.001mA
Operating current: ≤0.45mA	Inductive distance: ≤20CM

Turn off the alarm for dismantlement

Enter to the setting mode first.
Press 6 and DI sound is heard. The alarm for dismantlement is off.
Press * to return to the standby mode (If no operation within 20 seconds, it will return to the standby mode as well.)

Modify the access control code

Enter to the setting mode first.
Press 8 and DI sound is heard. Enter new 4 digits code and press #. DI DI sound is heard. Then, enter the new 4 digits code again and press #. DI sound indicates the modification is successful.
If enter wrong codes twice, DI ... sound will be heard for long, which indicates the code is not modified and modification needs to be redo.
Press * to return to the standby mode (If no operation within 20 seconds, it will return to the standby mode as well.)

NOTICE:

If forget the code, the following steps help to resume the factory setting: Connect to the power and press # on the remote control within 6 seconds. DI sound indicates the code is restore as factory default code: 4567.

Delete all the setting and blacklist

Enter to the setting mode first.
Press 9 and DI sound is heard. Then press 9 and DI DI sound is heard. Following with DI ... sound. When the long Di sound is stopped, it indicates all the cards and list are deleted.
Press * twice to return to standby mode (If no operation within 20 seconds, it will return to the standby mode as well).

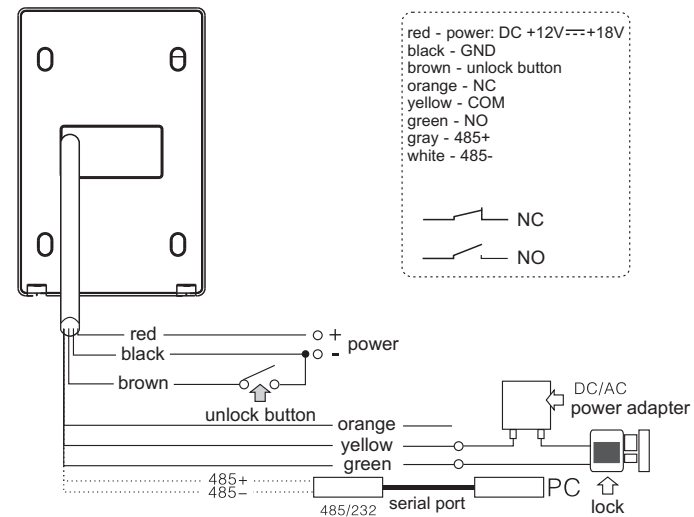
NOTICE:

Please read IC card access control instruction for IC card setting.

Functions

- | | |
|--|---|
| 1、 Frequency: 13.56MHz | 7、 Watchdog reset and power-on reset function. May connect to external unlock button. |
| 2、 Inductive distance:
DH16A-11CT ≤ 5cm
DH11R ≤ 20cm | 8、 Single relay output |
| 3、 Capacity: unlimited | 9、 unlock time delay : 01-99 seconds |
| 4、 IR keypad remote control | 10、 IP rate: 65 |
| 6、 Alarm for dismantlement with light sensitive | 11、 dimension: 115x75x21mm |

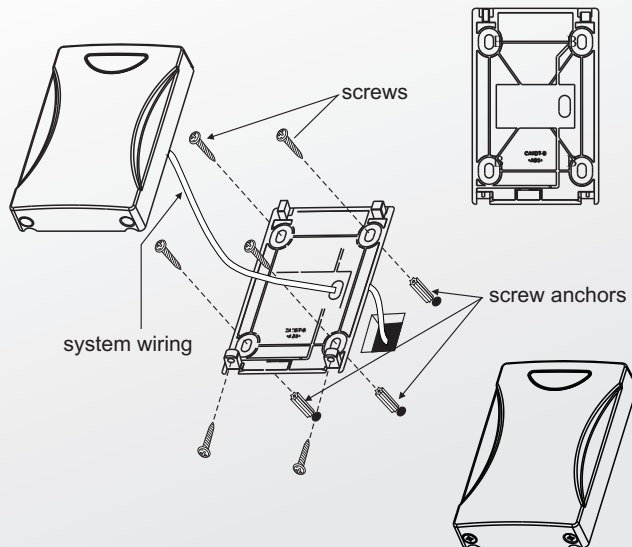
Wiring diagram



Installation

Before installation, position the location where the access control is mounted. Operation according to the following steps:

1. Use specialized tool to open the access control and remove the back cover.
2. Locate the provided drilling template accurately. The drilling holes is marked as B. Drill four holes according to the location of B.
3. Use the screws provided to mount the back case on the wall. Pull the wire through the central hole and keep the back case level.
4. Connected the wire according to the wiring diagram on the back.
5. After the connection of the access control, use screws to fasten the access control with the back case.



-3-

Operation instruction

Enter to the setting mode

Press * # and system code #. Di sound is heard indicates it enters to the setting mode. Press * to return to the standby mode (If no operation within 20 seconds, it will return to the standby mode as well.) The default factory code is 4567.

Set the address

Enter to the setting mode first.
Press 3, and Di sound is heard. Then enter 3 digits code for address (less than 255). Press #, and Di sound is heard. The setting is successful.
Press * to return to the standby mode (If no operation within 20 seconds, it will return to the standby mode as well.)

Set the unlock door time

Enter to the setting mode first.
Press 4 and Di sound is heard. Then enter 2 digits code (01-99) for unlock door time. Di sound is heard indicates the setting is successful.
Press * to return to the standby mode (If no operation within 20 seconds, it will return to the standby mode as well.)

Turn on the alarm for dismantlement

Enter to the setting mode first.
Press 5 and DI sound is heard. The alarm for dismantlement is active.
Press * to return to the standby mode (If no operation within 20 seconds, it will return to the standby mode as well.)

-4-